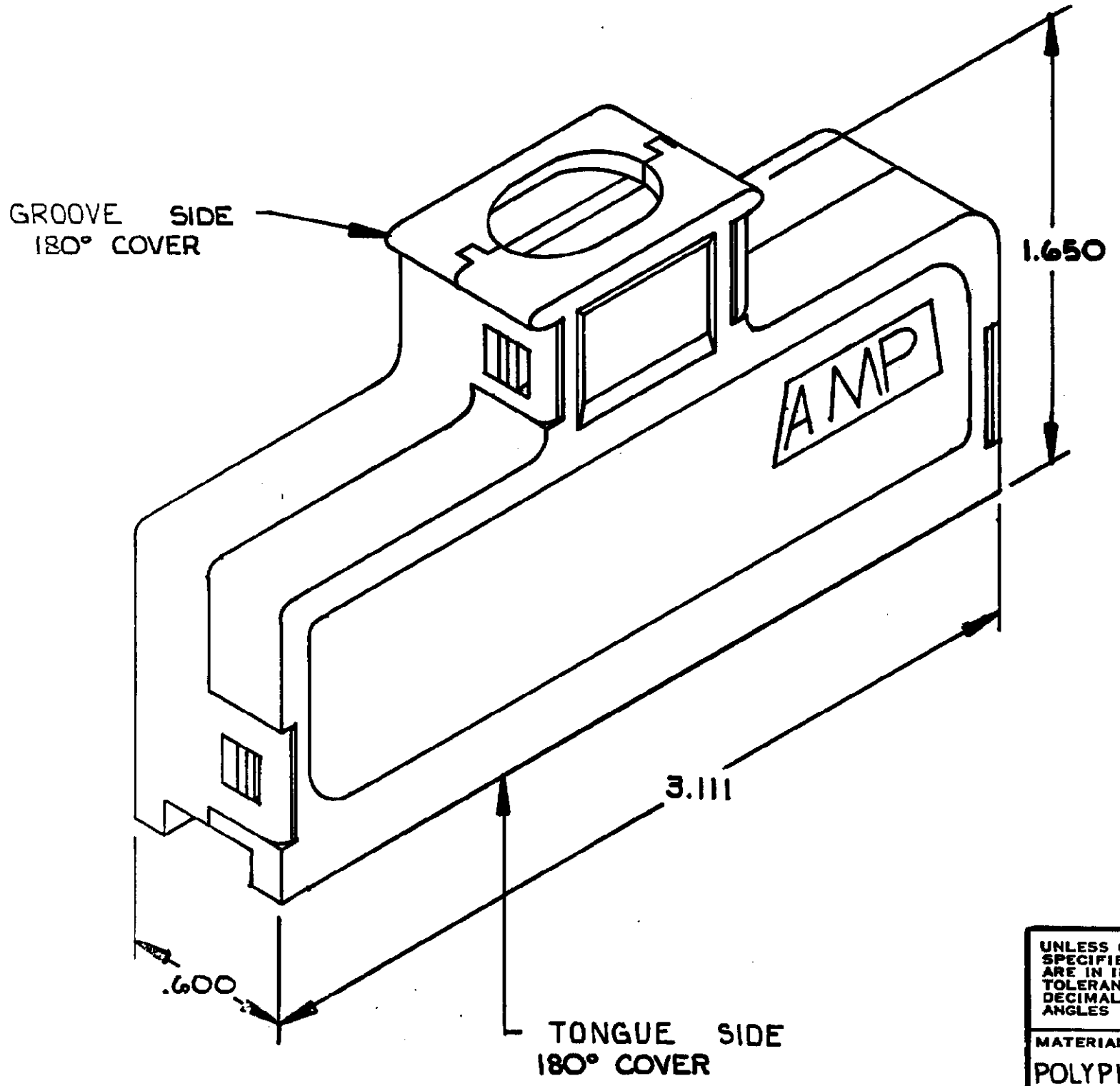


THIS DRAWING IS UNPUBLISHED. RELEASED FOR PUBLICATION, 1983  
 BY AMP INCORPORATED, HARRISBURG, PA. ALL INTERNATIONAL RIGHTS RESERVED. AMP PRODUCTS MAY BE COVERED BY U.S. AND FOREIGN PATENTS AND/OR PATENTS PENDING.

				LOC	AA	DIST	20
REVISIONS							
P	F	ZONE	LTR	DESCRIPTION		DATE	APPROVED
F	✓		F	SUPSD 5/1: ECN AA-4452		11/19/87	<i>[Signature]</i>



1. ALL DIMENSIONS SHOWN ARE FOR REFERENCE ONLY UNLESS OTHERWISE SPECIFIED.
2. COVERS SHIPPED NOT ASSEMBLED.
3. 100 KITS BULK PACKED

.480-.540	BLACK	552081-1	552080-1	552082-1
CABLE RANGE DIAMETER	COLOR	GROOVE SIDE PART NO.	TONGUE SIDE PART NO.	KIT PART NO.

UNLESS OTHERWISE SPECIFIED DIMENSIONS ARE IN INCHES. TOLERANCES ON: DECIMALS ± ANGLES ±	CONTRACT NO		<b>AMP</b>   AMP INCORPORATED Harrisburg, Pa.	
	DR P.K. COLLINS 5-483			
	MATERIAL	CHK <i>Stephen Doss</i> 5/5/83	NAME	
	POLYPHENYLENE	APPD <i>C.F. Moore</i> 5/5/83 APPD <i>[Signature]</i> 5/5/83	COVER KIT, 180°, 64 POSITION, CHAMP®	
FINISH	DSGN APPD <i>[Signature]</i> 11/30/87	SIZE	FSCM NO	DRAWING NO
	OTHER APPD	<b>B</b>	00779	552082
		SCALE 2:1	SHEET 1 OF 1	